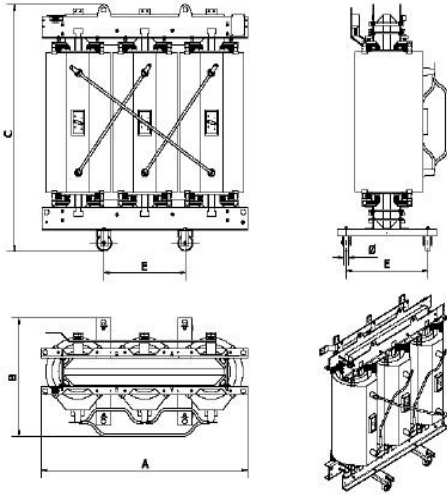


**CAST-RESIN TRANSFORMERS**  
**100 to 3150 kVA (AI/AI)**  
**Insulation level ≤ 24 kV and 36 kV**  
**EcoDesign (EU) 548/2014**



(OTRevF.FEB18) REV.6. FEB-2018



Pérdidas 548/2014					STANDARDS	
Potencia	S.24 kV		S.36kV		In accordance with standards: • IEC 60076-1 // • EU 548/2014	
	P <sub>0</sub>	P <sub>K</sub>	P <sub>0</sub>	PK		
≤630 kVA	Ao	Bk	Ao + 15%	Bk + 10%		
≥800 kVA	Ao	Ak	Ao + 15%	Ak + 10%		

COMMON ELECTRICAL CHARACTERISTICS (*)	
Frequency	50 Hz
Vector group	Dyn5 or Dyn11
Primary voltage (at no load)	6 to 36 kV
HV tapping range (off-load)	3 to 7 positions (2,5%)
Secondary voltage (at no load)	380 to 440 V (Ph-Ph) 220 to 254 V (Ph-N)
Ambient temperature (Max.)	40 °C
Altitude above sea level	≤ 1000 m
Routine test (1)	Included
Type test (2)	Optional (quotable)
Special test (3)	Optional (quotable)

**ELECTRICAL CHARACTERISTICS FOR INSULATION LEVEL ≤ 24 kV (\*)**

Rated Power kVA	100	160	250	315	400	630	800	1000	1250	1600	2000	2500	3150	
Rated primary voltage (dual voltage on request)	6 to 24 kV										10 to 24 kV			
Rated insulation level	7,2 kV BIL(60/20kV); 12 kV BIL(75/28kV); 17,5 kV BIL(95/38kV) or 24 kV BIL(125/50kV)													
Losses W	no load losses	280	400	520	620	750	1100	1300	1550	1800	2200	2600	3100	3800
	load losses at 120°C	2050	2900	3800	4540	5500	7600	8000	9000	11000	13000	16000	19000	22000
Rated impedance voltage %	6	6	6	6	6	6	6	6	6	6	6	6	6	
No-load current 100%Vn	1,7	1,6	1,4	1,3	1,3	1,2	1,1	1	1	0,9	0,9	0,8	0,7	
Noise level dB(A)	Sound power LwA	51	54	57	58	60	62	64	65	67	68	70	71	74
	Sound pressure LpA (1 m)	37	40	43	44	46	48	50	51	53	53	54	55	58
Approximate Dimensions (mm)	A	1500	1400	1400	1500	1500	1550	1700	1800	1900	1900	2000	2200	2300
	B	750	750	750	840	840	860	880	900	1000	1000	1000	1420	1420
	C	1300	1320	1390	1420	1530	1720	1800	1900	2100	2200	2250	2350	2450
	E	520	520	670	670	670	670	670	670	820	820	820	1070	1070
	F	40	40	40	40	40	40	40	40	70	70	70	70	70
	Ø	125	125	125	125	125	125	125	125	200	200	200	200	200
	Total weight (Kg)	1120	1130	1200	1450	1650	2100	2580	3100	3990	4200	4800	6400	7000

**ELECTRICAL CHARACTERISTICS FOR INSULATION LEVEL 36 kV (\*)**

Rated Power kVA	100	160	250	315	400	630	800	1000	1250	1600	2000	2500	3150	
Rated primary voltage (dual voltage on request)	25 to 36 kV													
Rated insulation level	36 kV BIL (170/70kV)													
Losses W	no load losses	322	460	598	713	862	1265	1495	1782	2070	2530	2990	3565	4370
	load losses at 120°C	2255	3190	4180	4994	6050	8360	8800	9900	12100	14300	17600	20900	24200
Rated impedance voltage %	6,5	6,5	6,5	6,5	6,5	6,5	6,5	6,5	6,5	6,5	6,5	6,5	6,5	
No-load current 100%Vn	1,9	1,8	1,6	1,5	1,4	1,3	1,2	1,1	1,1	1	1	0,9	0,8	
Noise level dB(A)	Sound power LwA	51	54	57	58	60	62	64	65	67	68	70	71	74
	Sound pressure LpA (1 m)	37	40	43	44	46	48	50	51	53	53	54	55	58
Approximate Dimensions (mm)	A	1600	1700	1700	1800	1800	1800	1800	1900	2000	2200	2300	2400	2600
	B	800	870	940	970	1000	1000	1000	1100	1100	1150	1420	1420	1450
	C	1550	1600	1700	1750	1750	1900	2050	2250	2400	2450	2500	2500	2700
	E	520	520	670	670	670	670	670	670	820	820	820	1070	1070
	F	40	40	40	40	40	40	40	40	70	70	70	70	70
	Ø	125	125	125	125	125	125	125	125	200	200	200	200	200
	Total weight (Kg)	1250	1900	2050	2300	2550	2800	3100	3750	4300	5600	6500	7300	9000

(\*) OTHERS CHARACTERISTICS: Consult IMEFY.

NOTE: Dimensions may change without prior notice.

IMEFY applies a policy of continuous development of its products and reserves the right to make changes in the specifications and technical characteristics without prior notice. The present technical data sheet has no other objective than to give information without any compromise.

For further information please contact IMEFY.